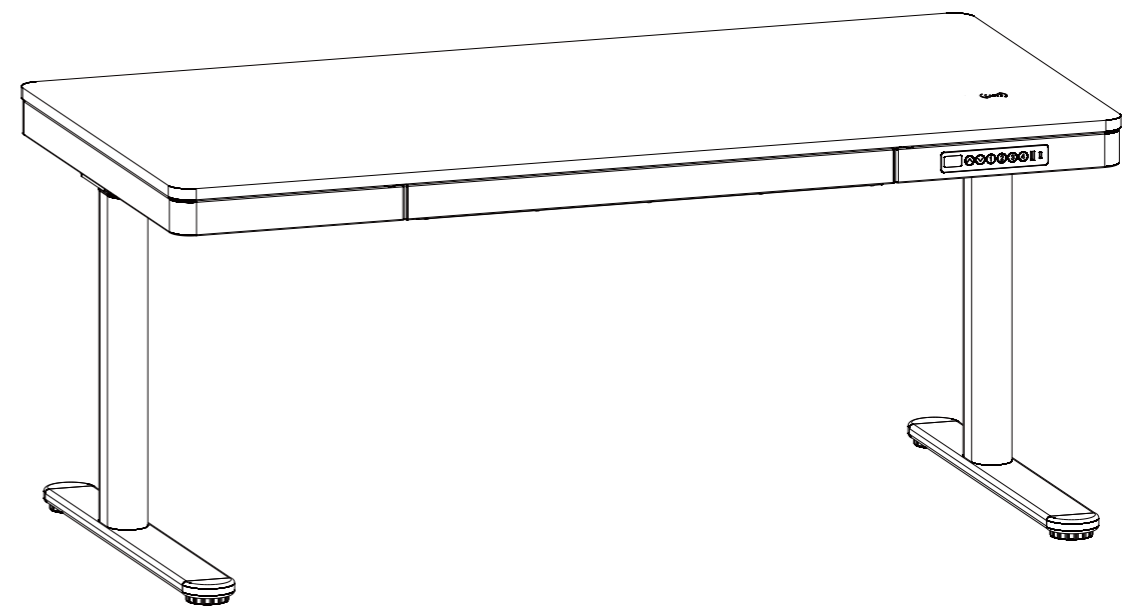


# FLEXISPOT



Item No. Q8B/Q8W  
Installation Guide

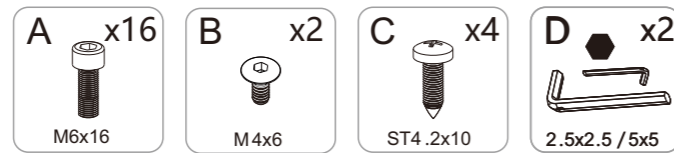
Website : [www.flexispot.com](http://www.flexispot.com)  
Tel: 1-(855)585-5618

## Specifications

|                              |  |
|------------------------------|--|
| Installation method Enhanced | 3-stage  |
| Desktop size                 | 55" X 28" (1404mm x 704mm)                       |
| Lifting speed                | 1.5"/s   |
| Max. load                    | 220lbs (100 kg)                                  |
| Lift Range                   | 24" X 49.2" (610mm - 1250mm)                     |
| Max. power                   | Type-A interface : 18W<br>Type-C interface : 45W |
| Wireless charging            | 10W  |

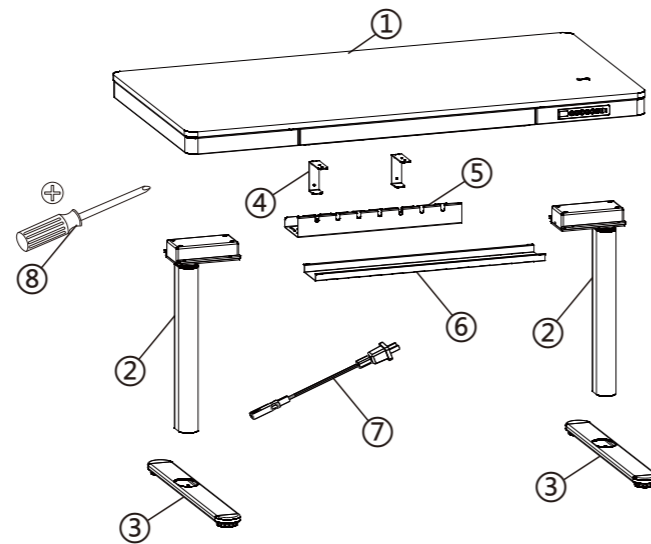
## Accessory Package

Figures shown are for reference only. Please contact customer service via email at [contact@flexispot.com](mailto:contact@flexispot.com) or toll free at +1(855)585-5618 if there are any accessories or tools missing.



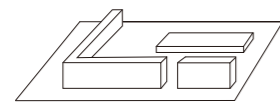
## Parts Included

- ① Desktop x1
- ② Lifting column x2
- ③ Pedestal x2
- ④ Cable Holder x2
- ⑤ Cable Tray x1
- ⑥ Baffle x1
- ⑦ Connecting cable x1
- ⑧ Phillips screwdriver x1

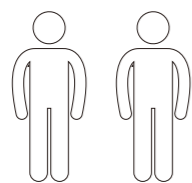


## Notice

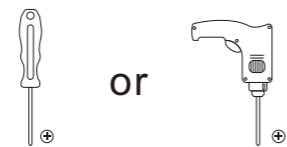
This installation takes 15-30 minutes, you can install it with your family or friends.



Assemble on a foam to prevent scratch



Get a friend for help

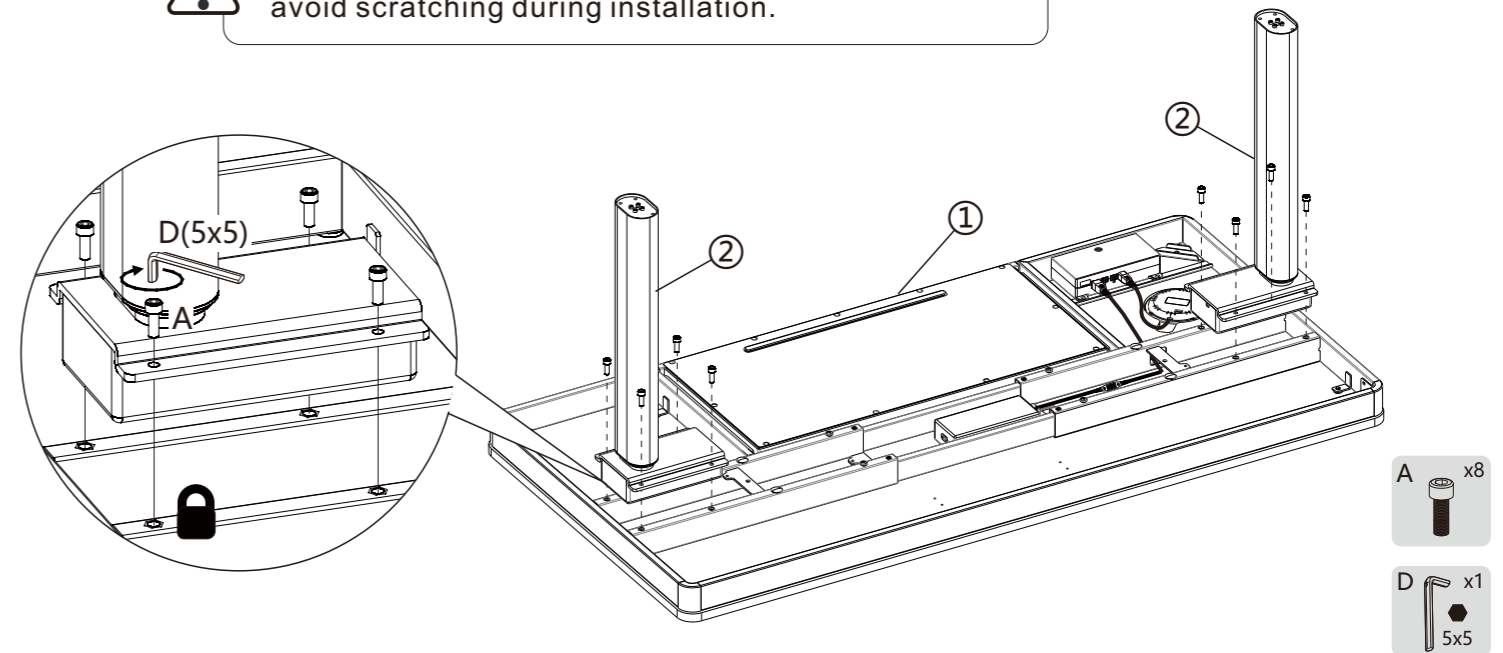


Prepare a screwdriver or a drill

## STEP 1: Install the Columns



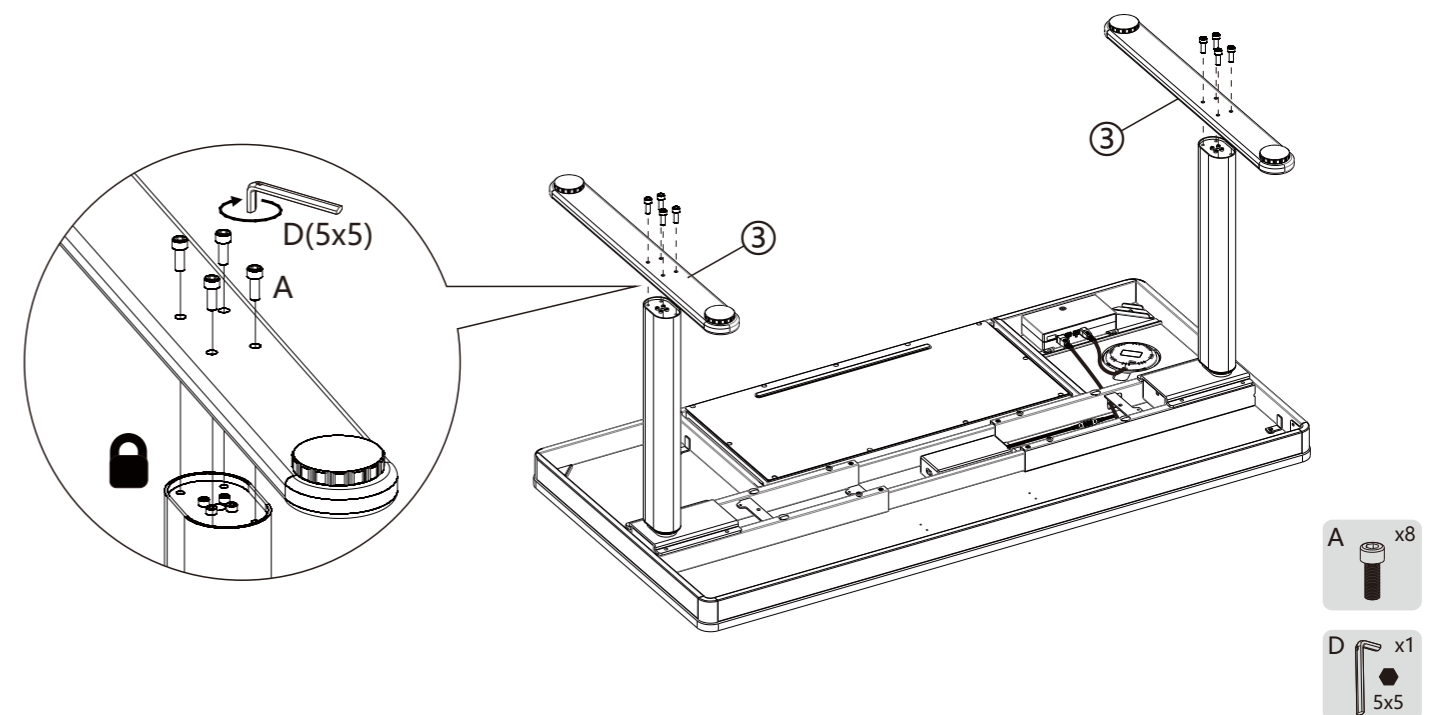
NOTE: Please put outer package under the desktop to avoid scratching during installation.



## STEP 2: Install the Pedestals



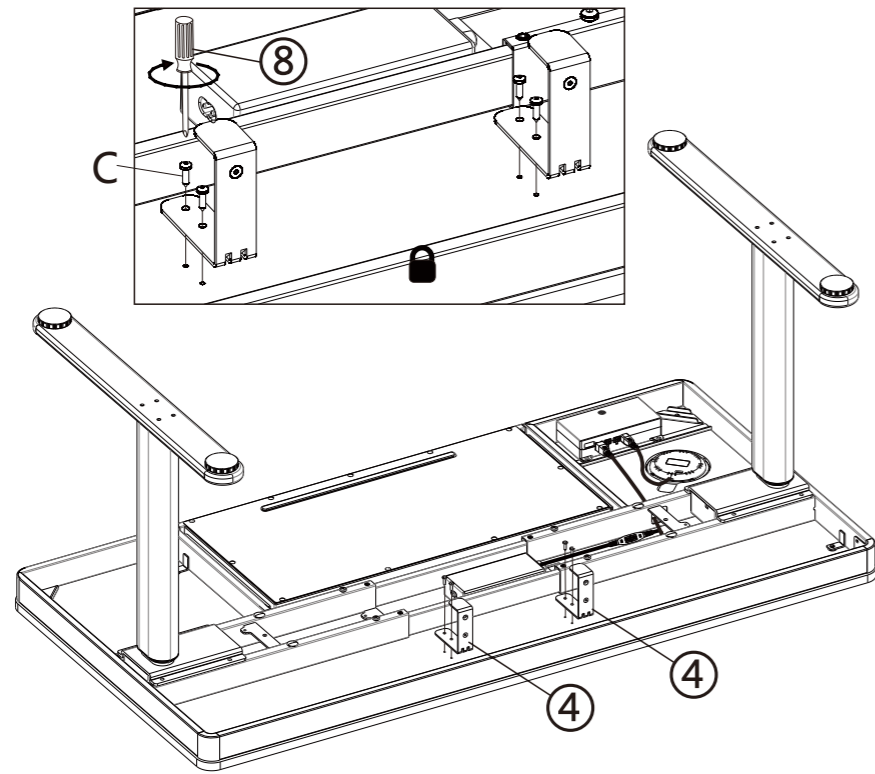
NOTE: The Pedestals are asymmetrical, please pay attention to the direction during installation.



## STEP 3: Install the Cable Trays

**!** Note: The bamboo desktop is hard, it is recommended to use an electric drill.

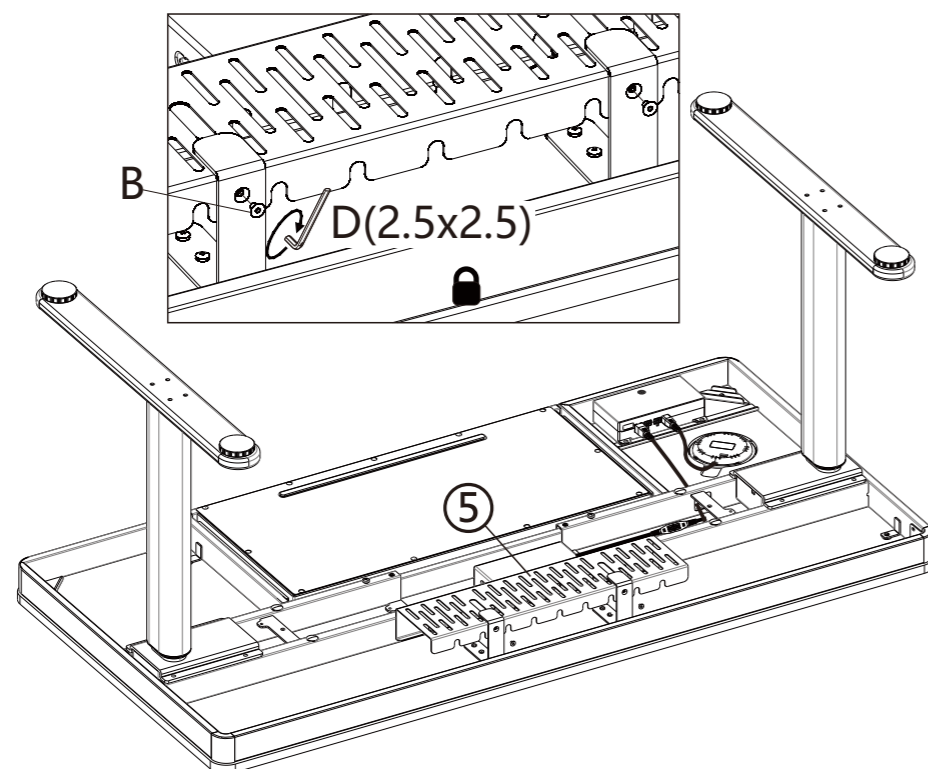
C x4  
ST4.2x10



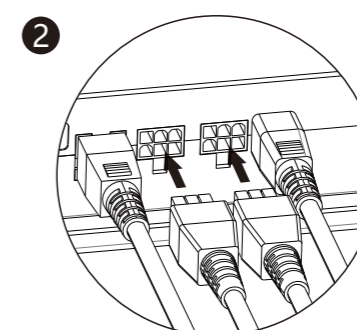
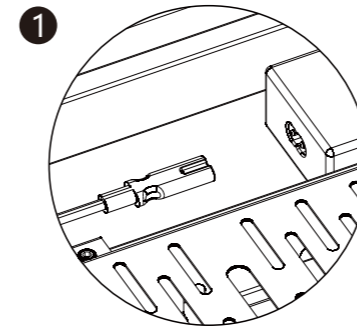
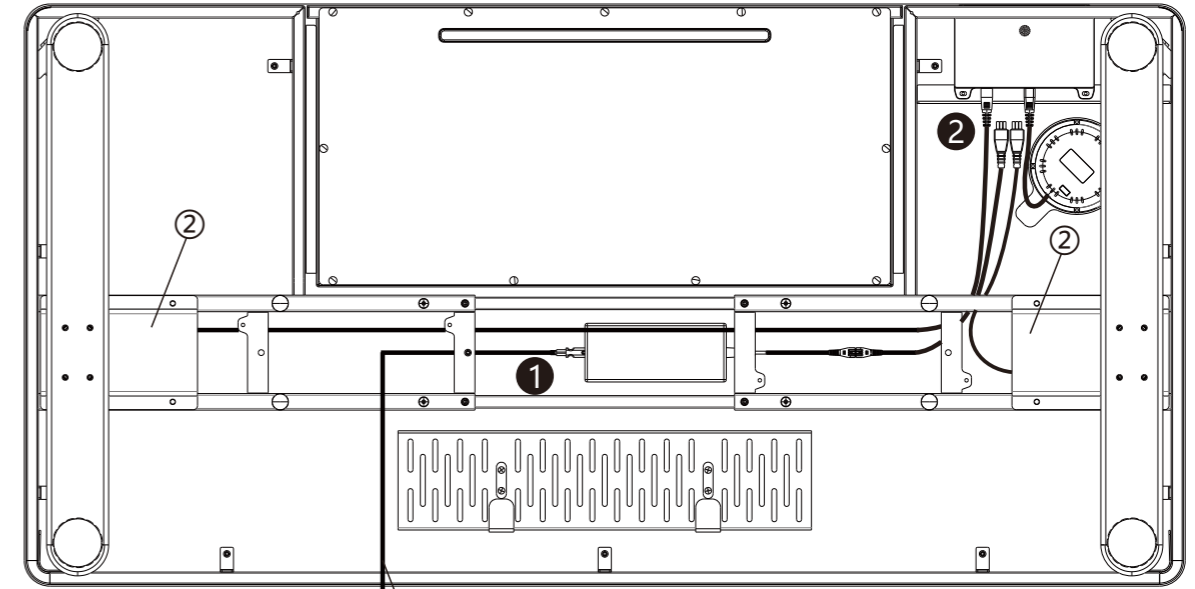
**!** Note: The screws in the wire groove are relatively small, it will cost a few minutes to install.

B x2  
M4x6

D x1  
2.5x2.5



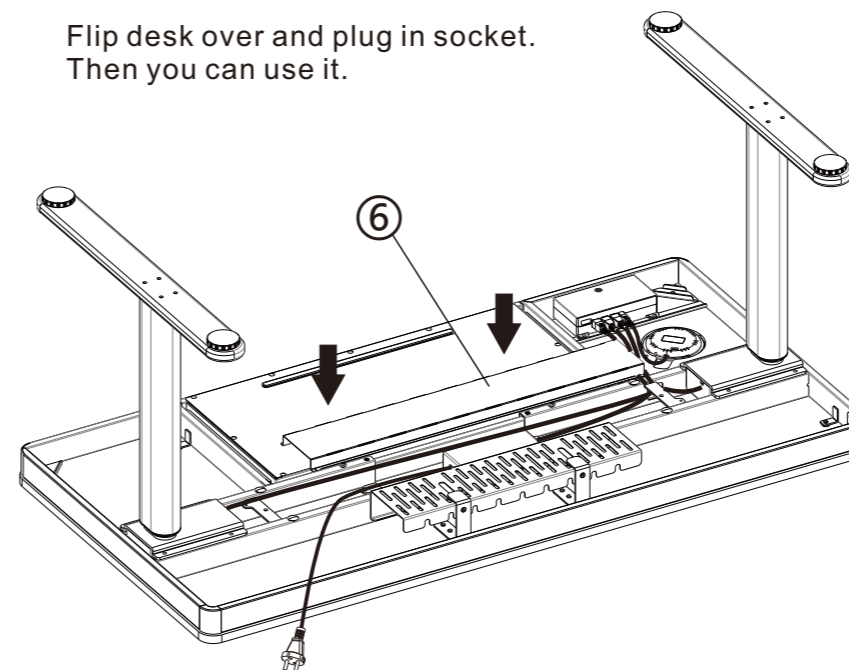
## STEP4: Connect Cable



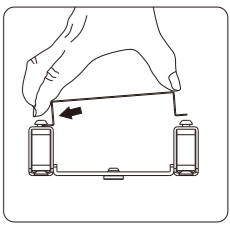
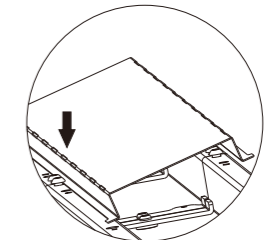
Connect Column Motors cables with Handset. Connecting cable ⑦ should be connected with the other side of Adapter.

## STEP5: Install the Baffle

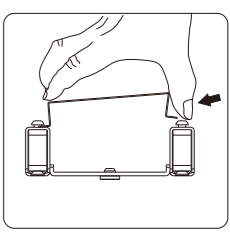
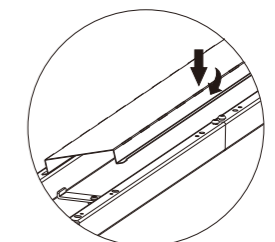
Flip desk over and plug in socket. Then you can use it.



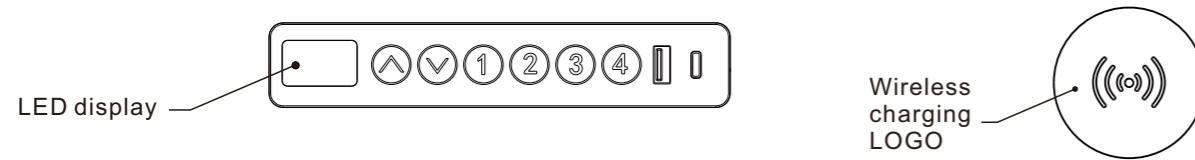
① One-sided embedding



② Press the other side

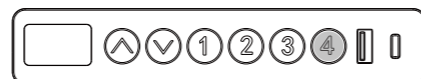
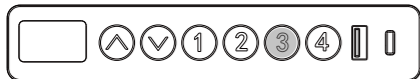


## How to Use



### Height Adjustment

Press "▲" or "▼" to adjust the height.



Press and hold the button "1", "2", "3" or "4" for 3s to save the current height

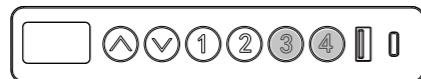


To adjust the sensitivity of the anti-collision function, keep pressing "▲" and "▼" simultaneously for 5s to alternate between level 1, 2, or 3.

The indicator levels are as follows:

- "A-1" : low sensitivity
- "A-2" : medium sensitivity
- "A-3" : high sensitivity
- "A-0" : switch off the anti-collision function.

( Before switching off the function please make sure there aren't any object under the desk to prevent potential damage. )



Press the 3 and 4 keys at the same time, long press for 3S, the reset indication "R5f" or "r5t" will appear, continue to press the "▼" down key until the lift table drops to the lowest position and bounces up



Place the mobile phone with wireless charging function on the desktop wireless charging LOGO to charge normally. When the desktop is stationary, each channel can output a maximum of DC5V/2.4A power to the peripherals. Desktop operation is, stop charging, and restart charging after 1 second of inactivity.

## Troubleshooting

- Reset: When the LED shows "R5f" or "r5t", press "▼" button until the desk reaches its lowest height and rebounds to stop, it means the reset has been finished.
- When it doesn't work and the LED shows "E01" or "E02", please retry 18 mins later.
- If the "▼" button doesn't work, please check the cable connection and then cut off the power for at least 10 seconds. Reconnect to the power and press "▼" button to start the reset process when it shows the "R5f" or "r5t"
- If all these above process are inefficient, please contact our customer service.

## Attention

- Power supply: AC100V - 240V, frequency 50/60HZ;
- Working environment: 32-104°F;
- Before cleaning, you have to unplug the power supply cable. Clean with a slightly damp cloth to wipe away the surface dust. Keep all electrical components away from liquids. Do not damage the connection line and keep the plug in a safe position.
- Inside the control box, there are electronic components, metal parts, plastic parts, wires and so on. They should be disposed in accordance with the local laws and regulations. They cannot be disposed as household waste.
- Before using the product, please make sure the product has been installed correctly.
- Before starting use of the product, please read the instructions to fully understand all the product's functions and settings.
- Keep children away from electric height-adjustable desks, control units and handsets. Manufacturer is not responsible of any damages that result from children's unpredictable behaviour.
- Slight noise caused by the multi wedge belt or brake system will not impact the use of this product.
- Do not use corrosive or abrasive materials to clean this product and please dispose of cleaning solutions in an environmentally friendly manner.
- Understand the risks associated with using this product. Children or those with cognitive impairment should not use this product without supervision.
- If the power supply cord is damaged or broken, it must be replaced by the manufacturer or a relevant specialist to avoid any injuries.
- Please operate in a clean and safe environment. For example, do not leave your tools around. And always be careful to deal with packaging materials, in order to avoid any kinds of possible danger. Potential choking risk exists when children play with plastic bags!
- If necessary, retain the original package for future transportation.

## Recycling and Disposal



This product cannot be disposed of as household waste. To prevent damage to the environment, this product should be recycled. Please use the relevant recycling systems available to you or contract the distributor or manufacturer for recycling assistance.

## FlexiSpot Limited Warranty

This limited warranty offered by FlexiSpot covers defects in material or workmanship in new FlexiSpot products. This warranty extends to the original purchaser only and is non-transferable. Only consumers purchasing FlexiSpot products from authorized FlexiSpot retailers or resellers may benefit from our limited warranty.

### What is Covered?

The FlexiSpot limited warranty covers our products against defects in material or workmanship as follows:

- FlexiSpot Height Adjustable Desk Frames

All height-adjustable desks purchased on or after October 5, 2016 include a 5-year warranty for the frame, and a 3-year warranty for the motor, controller and switch, electronics and other mechanisms.

- FlexiSpot Sit-Stand Desktop Workstations

All standing desks purchased on or after October 5, 2016 include a 5-year warranty for the frame, medium-fiber desktop and mechanisms.

- FlexiSpot Desk Bikes

All desk bikes purchased on or after October 5, 2016 include a 3-year warranty for the frame, and a 1-year warranty for the electronics and other mechanisms.

- FlexiSpot Mini Steppers

All desk bikes purchased on or after October 5, 2016 include a 1-year warranty for the frame, and other mechanisms.

- Accessories

All monitor mounts purchased on or after October 5, 2016 include a 5-year warranty for the arms, 3-year warranty for gas spring system and mechanisms.

### What are your Remedies?

FlexiSpot will replace at no charge to the consumer the defective parts only or, at FlexiSpot's option, replace any product or part of the product that is defective because of improper workmanship and/or material, under normal installation, use, service and maintenance. If FlexiSpot is unable to provide a replacement and repair is not practical or cannot be completed in a timely fashion, FlexiSpot may elect to refund the purchase price in exchange for the return of the product. In the rare event that your FlexiSpot product is defective, we will provide you with a replacement item shipped at no cost to you within the continental United States. The shipping method for replacement products is FedEx Ground, but expedited shipping is available if you choose to pay the additional expense. In addition, you will need to pay the shipping costs if any products need to be shipped to you at an address outside the continental United States.

**REPAIR OR REPLACEMENT (OR, IN LIMITED CIRCUMSTANCES, REFUND OF THE PURCHASE PRICE) AS PROVIDED UNDER THIS WARRANTY IS THE EXCLUSIVE REMEDY OF THE PURCHASER. FLEXISPOT NEITHER ASSUMES NOR AUTHORIZES ANY PERSON TO CREATE FOR IT ANY OTHER OBLIGATION OR LIABILITY IN CONNECTION WITH THIS PRODUCT.**

## FlexiSpot Limited Warranty

### What is Not Covered?

Our limited warranty does not cover any problem that is caused by:

1. Conditions, malfunctions or damage not resulting from defects in material or workmanship.
2. Conditions, malfunctions or damage resulting from normal wear and tear, improper installation, improper maintenance, misuse, abuse, negligence, accident or alteration.
3. Accessories, connected materials and products, or related products not manufactured by FlexiSpot.
4. Conditions, malfunctions or damage resulting from failure to follow the instructions and guidelines relating to the product's intended use.

Our limited warranty is void if a product is returned with removed, damaged or tampered labels or any alterations (including removal of any component or external cover).

### How to File a Claim?

In order to receive the benefit of our limited warranty, you need to process your claim in compliance with the terms of this limited warranty and follow proper return procedure. To request warranty service, please contact customer service via email at [contact@FlexiSpot.com](mailto:contact@FlexiSpot.com) or toll free at +1 (855) 585-5618. You will need to provide the sales receipt or other evidence of the date and place of purchase for your FlexiSpot product.

### Implied Warranties and Limitation of Damages

**EXCEPT TO THE EXTENT PROHIBITED BY APPLICABLE LAW, ALL IMPLIED WARRANTIES (INCLUDING WARRANTIES OF MERCHANTABILITY AND FITNESS FOR A PARTICULAR PURPOSE) SHALL BE LIMITED IN DURATION TO THE DURATION OF THIS WARRANTY, AND FLEXISPOT SHALL NOT BE LIABLE FOR ANY INCIDENTAL, INDIRECT, SPECIAL, OR CONSEQUENTIAL DAMAGES, INCLUDING BUT NOT LIMITED TO LOSS OF PROFITS OR REVENUE, RESULTING FROM ANY BREACH OF EXPRESS OR IMPLIED WARRANTY OR CONDITION, OR UNDER ANY OTHER LEGAL THEORY, EVEN IF FLEXISPOT HAS BEEN ADVISED OF THE POSSIBILITY OF SUCH DAMAGES.** Some jurisdictions do not allow limitations on the duration of an implied warranty or the exclusion or limitation of special, indirect, incidental or consequential damages, so the above limitations or exclusions may not apply to you.

### Governing Law

This Warranty shall be governed by the laws of the State of California, USA, without giving effect to any conflict of laws principles that may provide the application of the law of another jurisdiction.

### How State Law Applies

This Warranty gives you specific legal rights, and you may also have other rights which vary from state to state.